

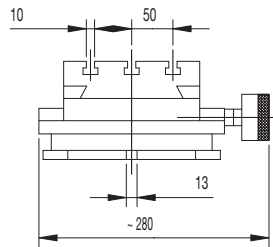
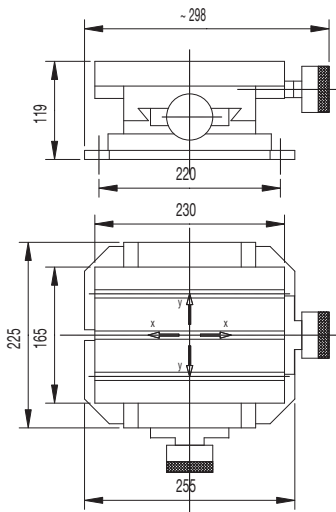
## Coordinate tables



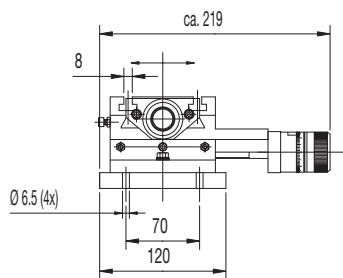
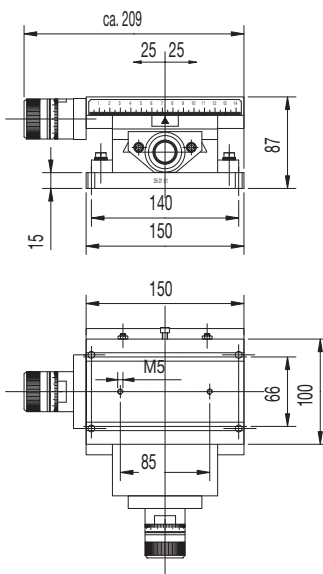
**MG-0**

**KT 50**

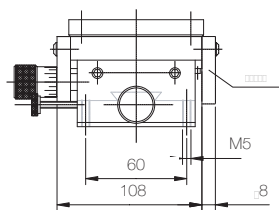
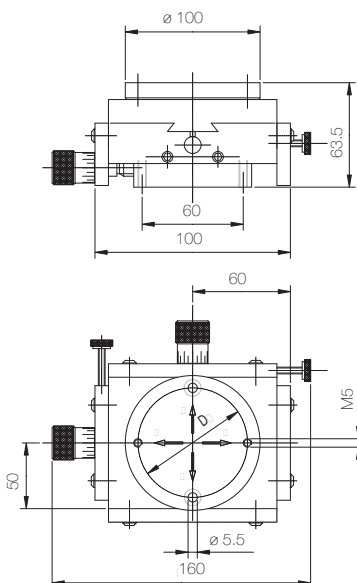
**KT 30**



The MG-0 coordinate table provides precise adjustment of the image onto a printed part and is produced from stable cast iron. The MG-0 is especially well-suited for the larger printing machines or for the assembly of heavy tooling fixtures. It allows for adjustments in the x- and y-axes through the use of fine adjustment knobs with a vernier. The w-axis adjustments are carried out using a marked scale.



The KT 50 coordinate table is produced from stable cast iron. Due to its solid and yet compact construction, the KT 50 is well-suited for applications requiring critical print image adjustments onto parts with smaller and middle-sized print machines. It is often used on shuttle tables as well. Infinitely variable adjustments can be made in the x- and y-axes using the fine adjustment knobs with a vernier. The w-axis adjustments are carried out using a marked scale.



The KT 30 coordinate table enables precise adjustment of an image onto the printed part. The adjustments for the x- and y-axes are carried out with the help of fine adjustment knobs. The KT 30 is manufactured out of aluminum and is especially well-suited for small printing machines or applications, which require peripheral devices, such as a shuttle table.

The DRV-30 turning device is an ideal complement to the KT 30 coordinate table. When mounted to the KT 30, the turning device provides a w-axis adjustment through an adjustment knob.

#### TECHNICAL DATA MG-0

##### ADJUSTMENT POSSIBILITIES

- x-axis:  $\pm 60$  mm
- y-axis:  $\pm 55$  mm
- w-axis:  $360^\circ$  swivelling

T-SLOT FOR SLOT NUT DIN508  
size 10

WEIGHT  
20 kg

PART NUMBER  
coordinate table MG-0  
35 01 67

#### TECHNICAL DATA KT 50

##### ADJUSTMENT POSSIBILITIES

- x-axis:  $\pm 25$  mm
- y-axis:  $\pm 25$  mm
- w-axis:  $22^\circ$  swivelling

T-SLOT FOR LOT NUT DIN508  
size 8

WEIGHT  
8.5 kg

PART NUMBER  
coordinate table KT 50  
35 01 51

#### TECHNICAL DATA KT 30

##### ADJUSTMENT POSSIBILITIES

- x-axis:  $\pm 15$  mm
- y-axis:  $\pm 15$  mm
- when supplemented with DRV-30  
additionally:  
w-axis:  $360^\circ$  swivelling

WEIGHT  
1.7 kg

PART NUMBER  
coordinate table KT 30  
70 00 76  
turning device with fine adjustment DRV-30  
70 00 77  
mounting plate GP 80  
89 80 07

